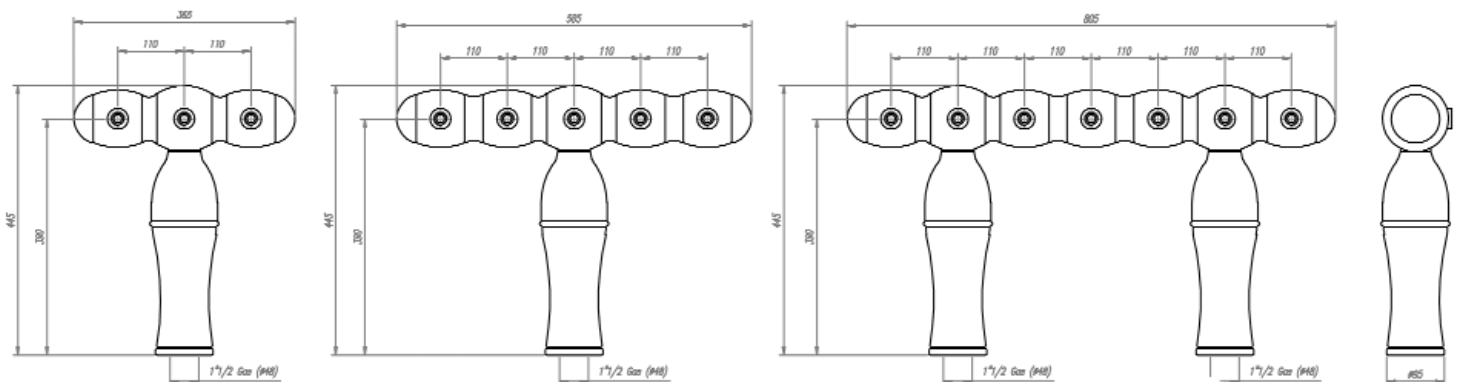




Arabesque

	OTTONE CROMATO LUCIDO polished chrome plated brass	OTTONE DORATO gold plated brass	NUMERO DI VIE number of beer lines	NUMERO DI PIEDI number of feet	FILETTO thread size	TUBO ALIMENTAZIONE / Ø mm product line / Ø mm
ARB3CR1275	●		3	1	1/2"	7,5
ARB3CR128	●		3	1	1/2"	8
ARB3CR588	●		3	1	5/8"	8
ARB3G1275		●	3	1	1/2"	7,5
ARB3G128		●	3	1	1/2"	8
ARB3G588		●	3	1	5/8"	8
ARB5CR1275	●		5	1	1/2"	7,5
ARB5CR128	●		5	1	1/2"	8
ARB5CR588	●		5	1	5/8"	8
ARB5G1275		●	5	1	1/2"	7,5
ARB5G128		●	5	1	1/2"	8
ARB5G588		●	5	1	5/8"	8
ARB7CR1275	●		7	2	1/2"	7,5
ARB7CR128	●		7	2	1/2"	8
ARB7CR588	●		7	2	5/8"	8
ARB7G1275		●	7	2	1/2"	7,5
ARB7G128		●	7	2	1/2"	8
ARB7G588		●	7	2	5/8"	8





Athena



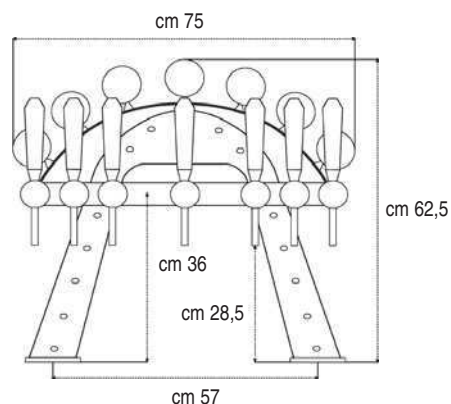
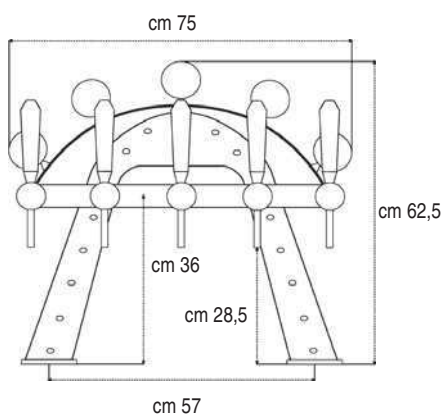
	ACCIAIO INOX VERNICIATO painted stainless steel	BRACCIO IN OTTONE CROMATO arm in chrome plated brass	NUMERO DI VIE number of beer lines	FILETTO thread size	TUBO ALIMENTAZIONE / Ø mm product line / Ø mm
ATH51275	●	●	5	1/2"	7,5
ATH5128	●	●	5	1/2"	8
ATH5588	●	●	5	5/8"	8
ATH71275	●	●	7	1/2"	7,5
ATH7128	●	●	7	1/2"	8
ATH7588	●	●	7	5/8"	8

Accessori per Athena
Pag. 46 / 51

MCCR180
MCCR190



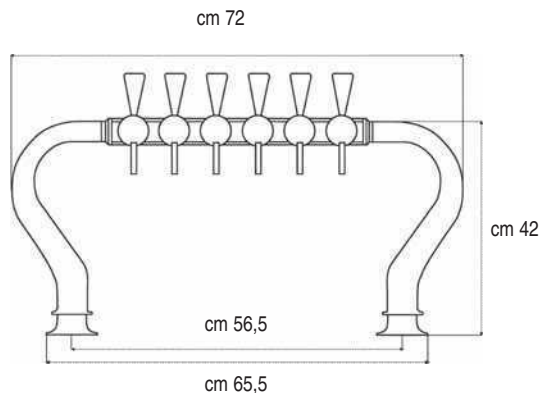
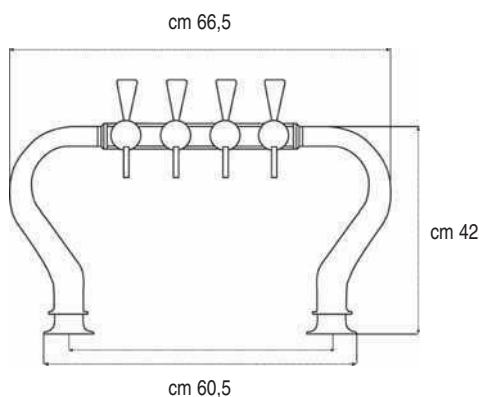
Lunghezza braccio 5 e 7 vie: cm 70
Horizontal length - 5 and 7 outs: cm 70





Bridge

	OTTONE CROMATO LUCIDO polished chrome plated brass	OTTONE CROMATO SABBBIATO satiny chrome plated brass	NUMERO DI VIE number of beer lines	FILETTO thread size	TUBO ALIMENTAZIONE / Ø mm product line / Ø mm
BD4CR1275	●		4	1/2"	7,5
BD4CR128	●		4	1/2"	8
BD4CR588	●		4	5/8"	8
BD4ST1275		●	4	1/2"	7,5
BD4ST128		●	4	1/2"	8
BD4ST588		●	4	5/8"	8
BD5CR1275	●		5	1/2"	7,5
BD5CR128	●		5	1/2"	8
BD5CR588	●		5	5/8"	8
BD5ST1275		●	5	1/2"	7,5
BD5ST128		●	5	1/2"	8
BD5ST588		●	5	5/8"	8
BD6CR1275	●		6	1/2"	7,5
BD6CR128	●		6	1/2"	8
BD6CR588	●		6	5/8"	8
BD6ST1275		●	6	1/2"	7,5
BD6ST128		●	6	1/2"	8
BD6ST588		●	6	5/8"	8

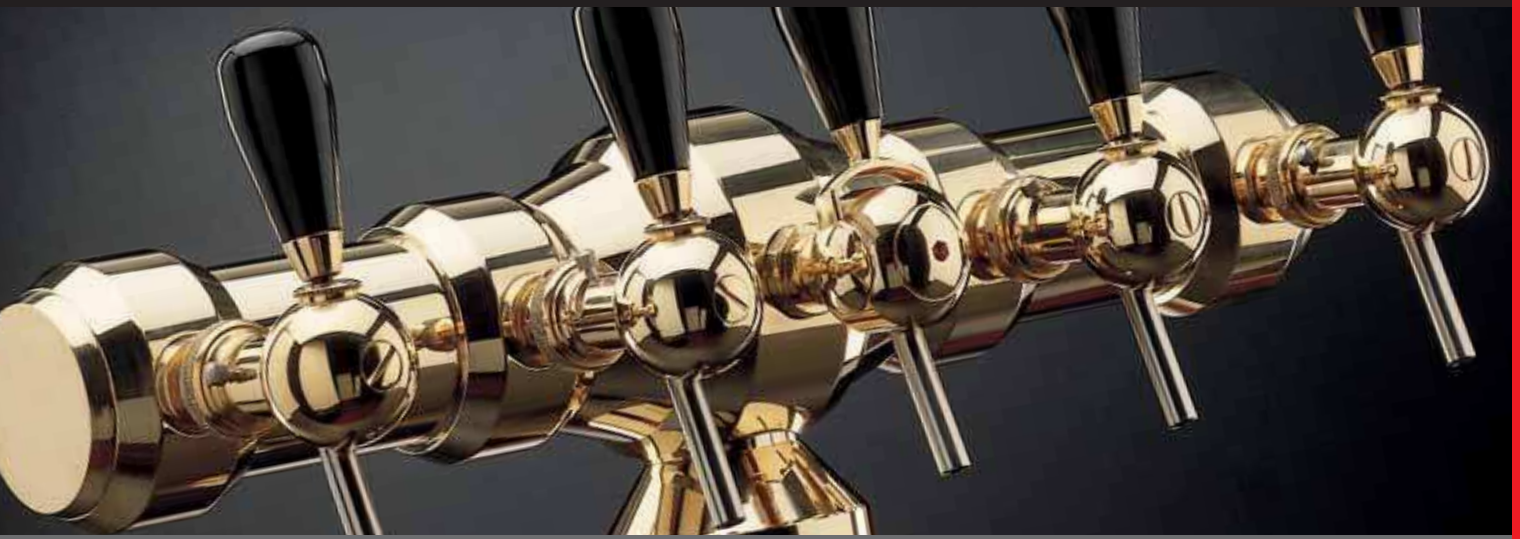


I modelli a 5 e 6 vie
presentano le stesse misure
5 and 6 outs models have
the same measures

Accessori per Bridge
Pag. 46 / 51

MCCR180/ MCCR190
MDCR5880/MDCR5890





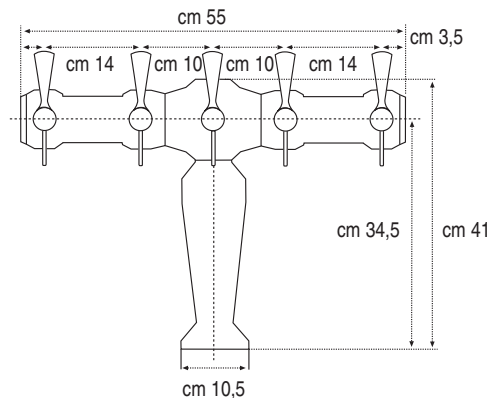
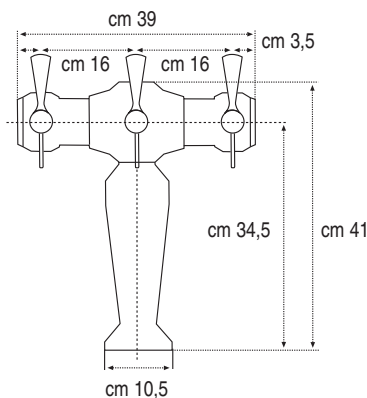
Bruxelles



	OTTONE CROMATO LUCIDO polished chrome plated brass	OTTONE DORATO gold plated brass	NUMERO DI VIE number of beer lines	FILETTO thread size	TUBO ALIMENTAZIONE / Ø mm product line / Ø mm
BX3CR1275	●		3	1/2"	7,5
BX3CR128	●		3	1/2"	8
BX3CR588	●		3	5/8"	8
BX3OT1275		●	3	1/2"	7,5
BX3OT128		●	3	1/2"	8
BX3OT588		●	3	5/8"	8
BX5CR1275	●		5	1/2"	7,5
BX5CR128	●		5	1/2"	8
BX5CR588	●		5	5/8"	8
BX5OT1275		●	5	1/2"	7,5
BX5OT128		●	5	1/2"	8
BX5OT588		●	5	5/8"	8

Accessori per Bruxelles
Pag. 46 / 51

MECR80D / MECR90D
MEG80D / MEG90D





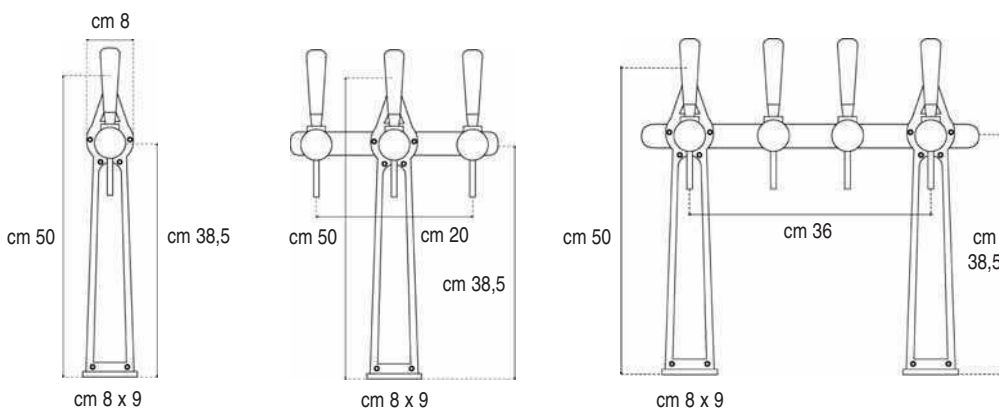
Dada

	ACCIAIO INOX VERNICIATO painted stainless steel	BRACCIO IN OTTONE CROMATO arm in chrome plated brass	1 PIEDE 1 foot	2 PIEDI 2 feet	NUMERO DI VIE number of beer lines	FILETTO thread size	TUBO ALIMENTAZIONE / Ø mm product line / Ø mm
DD11275	●	●	●		1	1/2"	7,5
DD1128	●	●	●		1	1/2"	8
DD1588	●	●	●		1	5/8"	8
DD31275	●	●	●		3	1/2"	7,5
DD3128	●	●	●		3	1/2"	8
DD3588	●	●	●		3	5/8"	8
DD41P1275	●	●	●		4	1/2"	7,5
DD41P128	●	●	●		4	1/2"	8
DD41P588	●	●	●		4	5/8"	8
DD51P1275	●	●	●		5	1/2"	7,5
DD51P128	●	●	●		5	1/2"	8
DD51P588	●	●	●		5	5/8"	8
DD41275	●	●		●	4	1/2"	7,5
DD4128	●	●		●	4	1/2"	8
DD4588	●	●		●	4	5/8"	8



Accessori per Dada
Pag. 46 / 51

- MCCR180G / MDDCR31P80
- MDDCR41P80 / MDDCR42P80
- MDDCR51P80

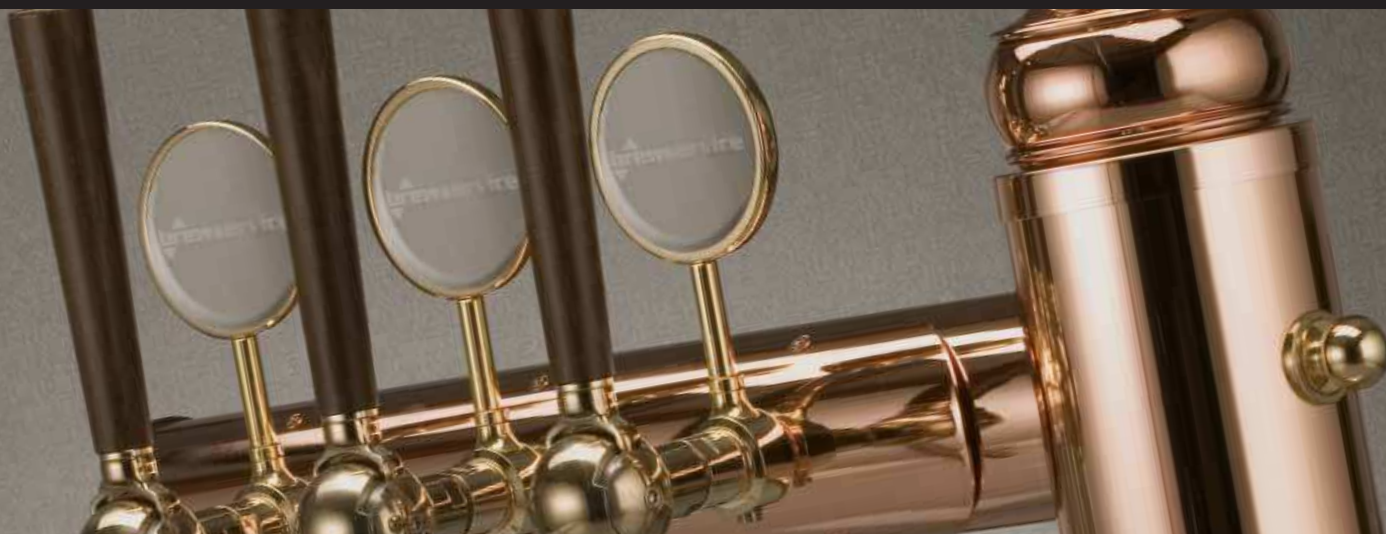


Lunghezza braccio 3 vie 1 piede: cm 27
Horizontal length - 3 outs 1 foot: cm 27

Lunghezza braccio 4 vie e 5 vie 1 piede: cm 46
Horizontal length - 4 and 5 outs 1 foot: cm 46

Lunghezza braccio 4 vie 2 piedi: cm 51
Horizontal length - 4 outs 2 feet: cm 51

I modelli a 4 e 5 vie
presentano le stesse misure
4 and 5 outs models have the same measures



Eclipse

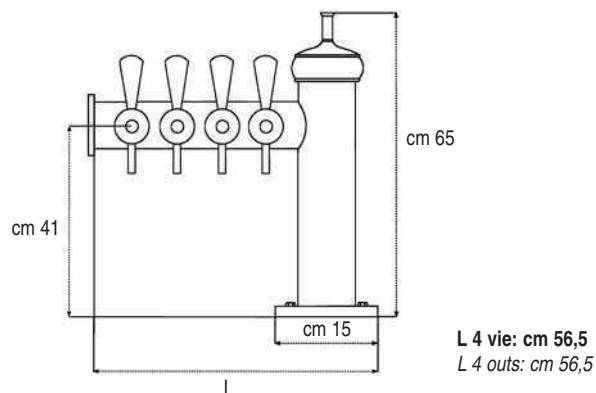
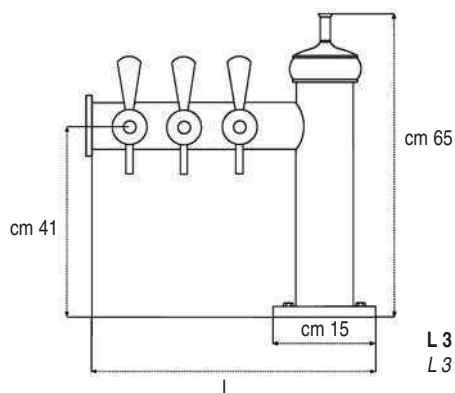


Disponibile con piede a destra
o a sinistra
Available with foot on right or on left

	ACCIAIO INOX SATINATO brushed stainless steel	ACCIAIO INOX RAMATO copper plated stainless steel	NUMERO DI VIE number of beer lines	FILETTO thread size	TUBO ALIMENTAZIONE / Ø mm product line / Ø mm
EC3INST1275	●		3	1/2"	7,5
EC3INST128	●		3	1/2"	8
EC3INST588	●		3	5/8"	8
EC3INRM1275		●	3	1/2"	7,5
EC3INRM128		●	3	1/2"	8
EC3INRM588		●	3	5/8"	8
EC4INST1275	●		4	1/2"	7,5
EC4INST128	●		4	1/2"	8
EC4INST588	●		4	5/8"	8
EC4INRM1275		●	4	1/2"	7,5
EC4INRM128		●	4	1/2"	8
EC4INRM588		●	4	5/8"	8

Accessori per Eclipse
Pag. 46 / 51

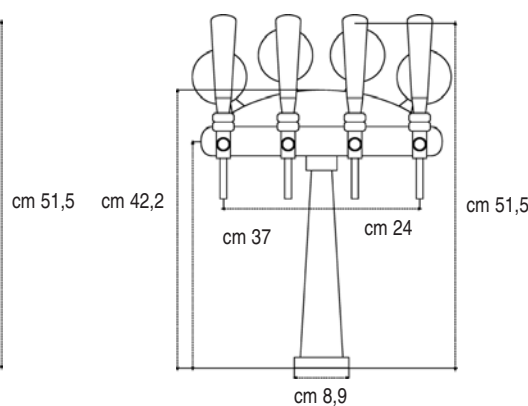
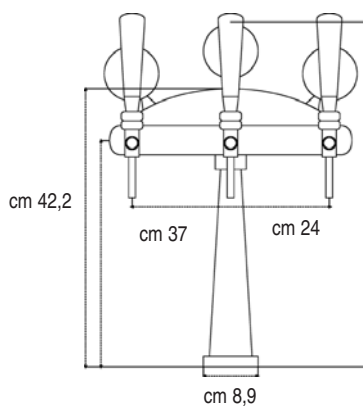
MECR80D / MECR90D
MEG80D / MEG90D





Eco

	OTTONE CROMATO LUCIDO polished chrome plated brass	NUMERO DI VIE number of beer lines	FILETTO thread size	TUBO ALIMENTAZIONE / Ø mm product line / Ø mm
ECO3CR1275	●	3	1/2"	7,5
ECO3CR128	●	3	1/2"	8
ECO3CR588	●	3	5/8"	8
ECO4CR1275	●	4	1/2"	7,5
ECO4CR128	●	4	1/2"	8
ECO4CR588	●	4	5/8"	8



Lunghezza braccio 3 e 4 vie: cm 33
Horizontal length- 3 and 4 outs: cm 33

Accessori per Eco
Pag. 46 / 51

MCCR180/ MCCR190





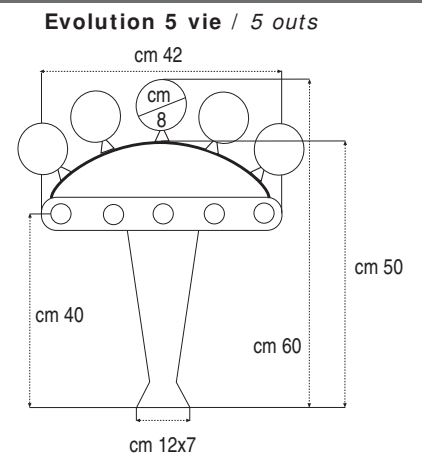
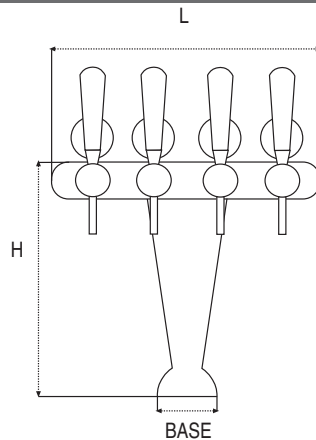
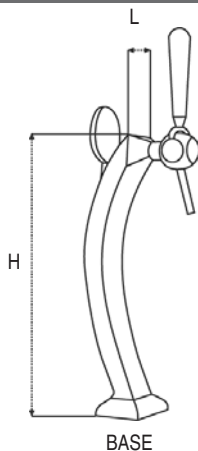
Evolution

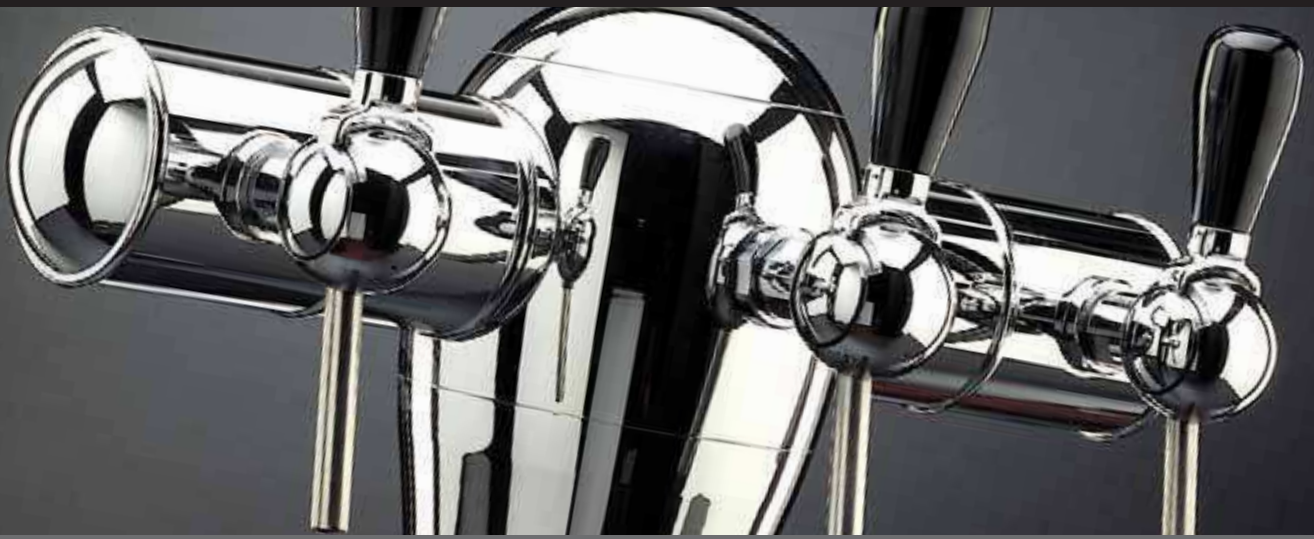


Accessori per Evolution
Pag. 46 / 50 / 51

	OTTONE CROMATO LUCIDO polished chrome plated brass	OTTONE DORATO gold plated brass	NUMERO DI VIE number of beer lines	FILETTO thread size	TUBO ALIMENTAZIONE / Ø mm product line / Ø mm
EV1CR1275	●		1	1/2"	7,5
EV1CR128	●		1	1/2"	8
EV1CR588	●		1	5/8"	8
EV2CR1275	●		2	1/2"	7,5
EV2CR128	●		2	1/2"	8
EV2CR588	●		2	5/8"	8
EV3CR1275	●		3	1/2"	7,5
EV3CR128	●		3	1/2"	8
EV3CR588	●		3	5/8"	8
EV4CR1275	●		4	1/2"	7,5
EV4CR128	●		4	1/2"	8
EV4CR588	●		4	5/8"	8
EV4OTG1275		●	4	1/2"	7,5
EV4OTG128		●	4	1/2"	8
EV4OTG588		●	4	5/8"	8
EV5CR1275	●		5	1/2"	7,5
EV5CR128	●		5	1/2"	8
EV5CR588	●		5	5/8"	8

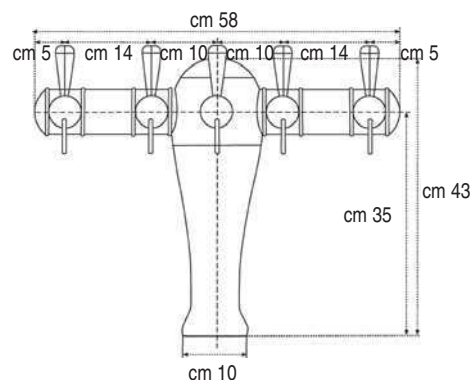
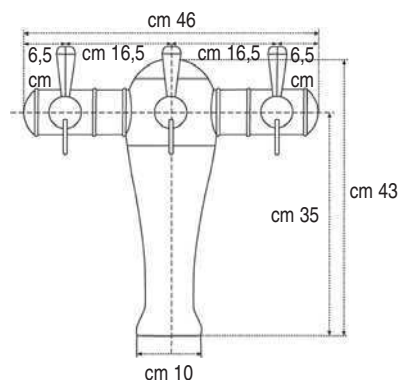
- 1 via / 1 out
H: cm 40
L: cm 7
BASE: cm 7 X 9
- 2 vie / 2 outs
H: cm 40
L: cm 7
BASE: cm 7 X 9
- 3 vie / 3 outs
H: cm 42
L: cm 10,5
BASE: cm 8 X 12
- 4 vie / 4 outs
H: cm 42,5
L: cm 42
BASE: cm 8 X 12





Falco

	OTTONE CROMATO LUCIDO polished chrome plated brass	NUMERO DI VIE number of beer lines	FILETTO thread size	TUBO ALIMENTAZIONE / Ø mm product line / Ø mm
FL3CR1275	●	3	1/2"	7,5
FL3CR128	●	3	1/2"	8
FL3CR588	●	3	5/8"	8
FL5CR1275	●	5	1/2"	7,5
FL5CR128	●	5	1/2"	8
FL5CR588	●	5	5/8"	8



Accessori per Falco
Pag. 46 / 51

MECR80D / MECR90D





Mini Twice



Accessori per Mini Twice
Pag. 46 / 50

MDCR5880 / MDCR5890
MDG5880 / MDG5890
MDACR5890 / MDADR5890
010168 / 010169



MTW1CR1275
MTW1CR128
MTW1CR588
MTW1OT1275
MTW1OT128
MTW1OT588

OTTONE CROMATO LUCIDO
polished chrome plated brass

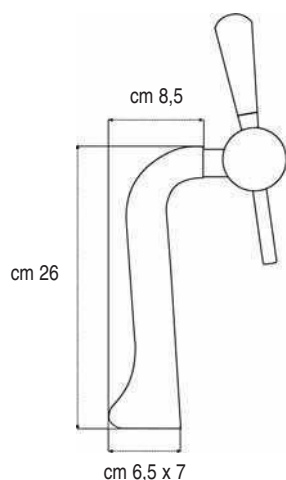
OTTONE DORATO
gold plated brass

NUMERO DI VIE
number of beer lines

FILETTO
thread size

TUBO ALIMENTAZIONE / Ø mm
product line / Ø mm

●	●	1	1/2"	7,5
●	●	1	1/2"	8
●	●	1	5/8"	8
●	●	1	1/2"	7,5
●	●	1	1/2"	8
●	●	1	5/8"	8



010168

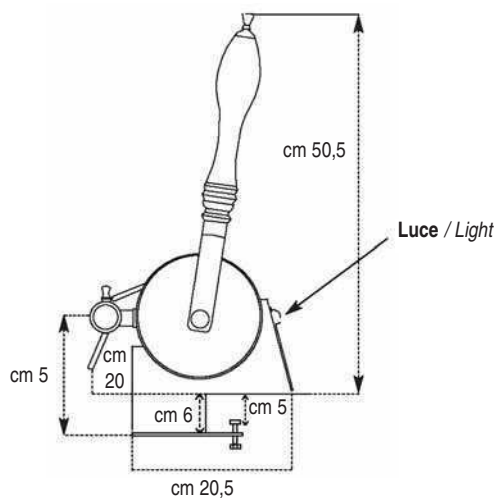
Dimensioni morsetto
Clamp's dimensions

Base / Base : cm 10 X 14
Altezza / Height : cm 8



Nelson

	OTTONE DORATO gold plated brass	LUMINOSA illuminated		NUMERO DI VIE number of beer lines	FILETTO thread size	TUBO ALIMENTAZIONE / Ø mm product line / Ø mm
NL1OTG12L75	●	●		1	1/2"	7,5
NL1OTG12L8	●	●		1	1/2"	8



Accessori per Nelson
Pag. 51

010163 / 010164
010315



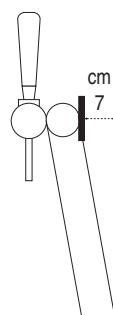
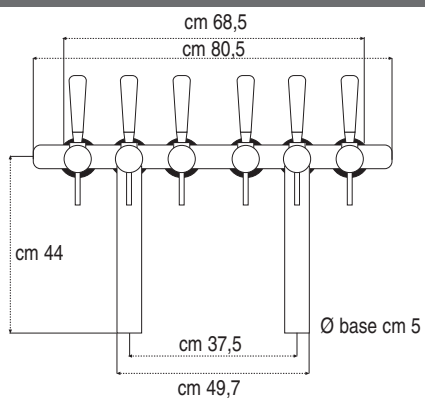
Luce / Light : 20 Volts - 3 Watts
Larghezza / Width : cm 10



Oxer



	ACCAIO INOX SATINATO brushed stainless steel	NUMERO DI VIE number of beer lines	FILETTO thread size	TUBO ALIMENTAZIONE / Ø mm product line / Ø mm
OX6INST1275	●	6	1/2"	7,5
OX6INST128	●	6	1/2"	8
OX6INST588	●	6	5/8"	8



Accessori per Oxer
Pag. 46 / 51

010323





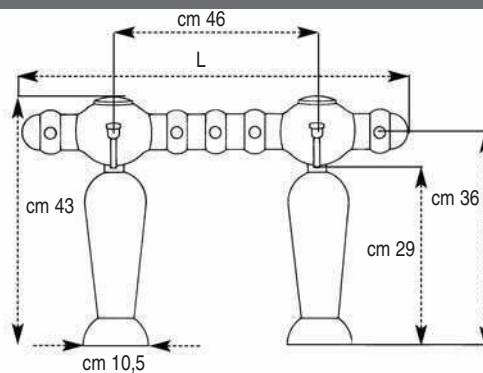
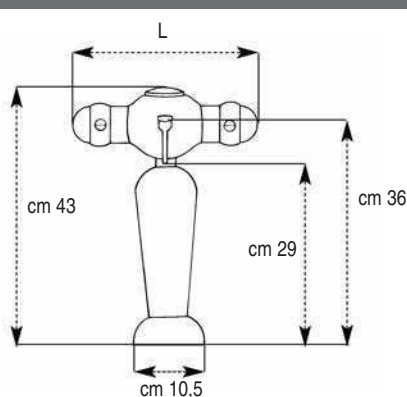
Pigalle

	OTTONE CROMATO LUCIDO polished chrome plated brass	OTTONE CROMATO PERLATO pearly chrome plated brass	OTTONE DORATO gold plated brass	NUMERO DI PIEDI number of feet	NUMERO DI VIE number of beer lines	FILETTO thread size	TUBO ALIMENTAZIONE / Ø mm product line / Ø mm
PG3CR1275	●			1	3	1/2"	7,5
PG3CR128	●			1	3	1/2"	8
PG3CR588	●			1	3	5/8"	8
PG3PR1275		●		1	3	1/2"	7,5
PG3PR128		●		1	3	1/2"	8
PG3PR588		●		1	3	5/8"	8
PG3OT1275			●	1	3	1/2"	7,5
PG3OT128			●	1	3	1/2"	8
PG3OT588			●	1	3	5/8"	8
PG5CR1275	●			1	5	1/2"	7,5
PG5CR128	●			1	5	1/2"	8
PG5CR588	●			1	5	5/8"	8
PG5PR1275		●		1	5	1/2"	7,5
PG5PR128		●		1	5	1/2"	8
PG5PR588		●		1	5	5/8"	8
PG5OT1275			●	1	5	1/2"	7,5
PG5OT128			●	1	5	1/2"	8
PG5OT588			●	1	5	5/8"	8
PG7CR1275	●			2	7	1/2"	7,5
PG7CR128	●			2	7	1/2"	8
PG7CR588	●			2	7	5/8"	8
PG7PR1275		●		2	7	1/2"	7,5
PG7PR128		●		2	7	1/2"	8
PG7PR588		●		2	7	5/8"	8
PG7OT1275			●	2	7	1/2"	7,5
PG7OT128			●	2	7	1/2"	8
PG7OT588			●	2	7	5/8"	8



Accessori per Pigalle
Pag. 46 / 51

MECR80D / MECR90D
MEG80D / MEG90D



L 3 vie / 3 outs: cm 47
L 5 vie / 5 outs: cm 60
L 7 vie / 7 outs: cm 90

I modelli a 3 e 5 vie
presentano le stesse misure

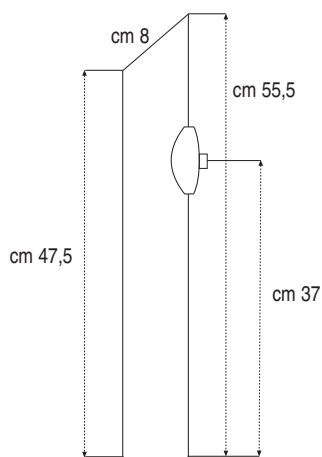
3 and 5 outs models
have the same measures



Point



	●							
	●							
PN1CR128075	●	80				1	1/2"	7,5
PN1CR12808	●	80				1	1/2"	8
PN1CR1280L75	●	80	●			1	1/2"	7,5
PN1CR1280L8	●	80	●			1	1/2"	8



Accessori per Point
Pag. 51

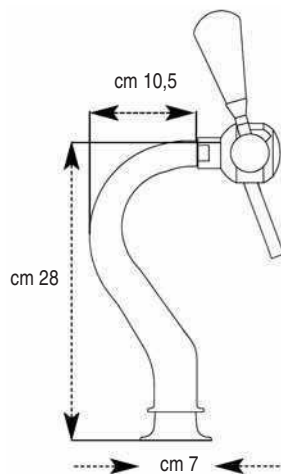
010163 / 010164
010315





Ramses

	OTTONE CROMATO LUCIDO polished chrome plated brass	OTTONE DORATO gold plated brass		NUMERO DI VIE number of beer lines	FILETTO thread size	TUBO ALIMENTAZIONE / Ø mm product line / Ø mm
RM1CR1275	●			1	1/2"	7,5
RM1CR128	●			1	1/2"	8
RM1OT1275		●		1	1/2"	7,5
RM1OT128		●		1	1/2"	8



010168

Dimensioni morsetto
Clamp's dimensions

Base / Base : cm 10 X 14
Altezza / Height : cm 8

Accessori per Ramses
Pag. 46 / 50

MDCR5880 / MDCR5890
MDG5880 / MDG5890
MDACR5890 / MDADR5890
010168 / 010169

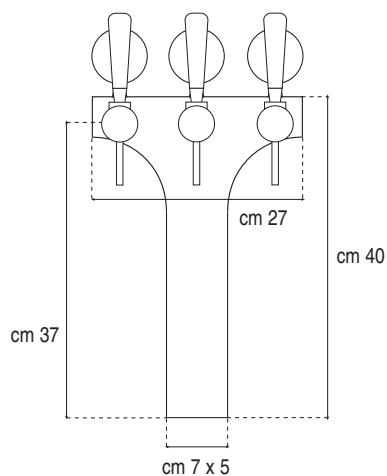




Sky



	ACCIAIO INOX SATINATO brushed stainless steel		NUMERO DI VIE number of beer lines	FILETTO thread size	TUBO ALIMENTAZIONE / Ø mm product line / Ø mm
SKY31275	●		3	1/2"	7,5
SKY3128	●●		3	1/2"	8
SKY3588	●●●		3	5/8"	8



Accessori per Sky
Pag. 46 / 51

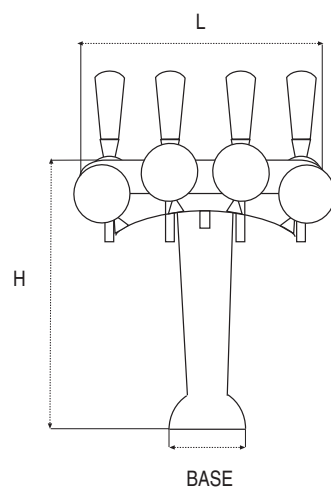
MCCR180 /
MCCR190





Slim Evolution

	OTTONE CROMATO LUCIDO polished chrome plated brass	OTTONE DORATO gold plated brass		NUMERO DI VIE number of beer lines	FILETTO thread size	TUBO ALIMENTAZIONE / Ø mm product line / Ø mm
NEV4CR1275	●			4	1/2"	7,5
NEV4CR128	●			4	1/2"	8
NEV4OTG1275		●		4	1/2"	7,5
NEV4OTG128		●		4	1/2"	8



Accessori per Slim Evolution
Pag. 46 / 51

MNEVCR480 / MNEVG480



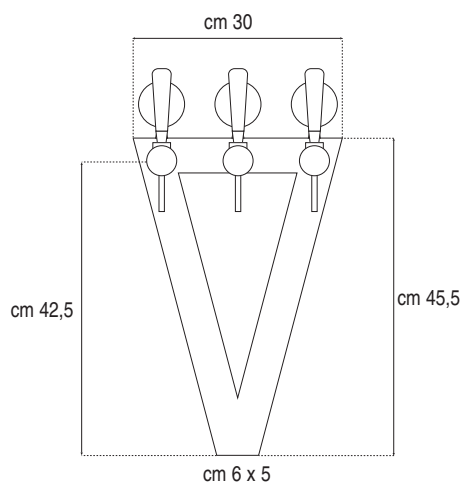
H: cm 40
L: cm 26
BASE: cm 6,5 X 8,5
Medaglioni applicati su archetto posteriore
Brand holders applied on the back arch



Teorema



	ACCIAIO INOX LUCIDO polished stainless steel		NUMERO DI VIE number of beer lines	FILETTO thread size	TUBO ALIMENTAZIONE / Ø mm product line / Ø mm
TEO1275	●		3	1/2"	7,5
TEO128	●●		3	1/2"	8
TEO588	●●●		3	5/8"	8



Accessori per Teorema
Pag. 46 / 51

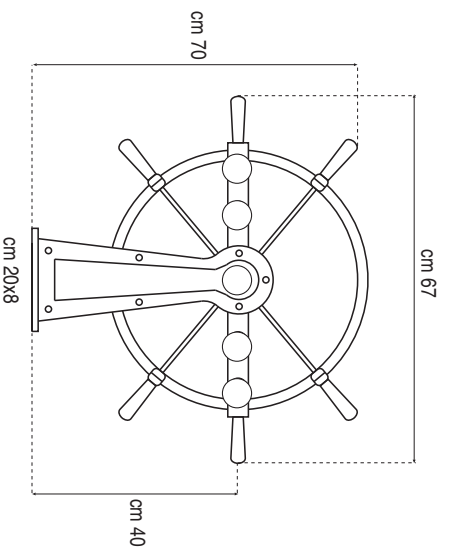
MCCR180/
MCCR190





Timone

CTBS1275	● ●	ACCIAIO INOX LUCIDO polished stainless steel
CTBS128	● ●	ACCIAIO INOX SATINATO brushed stainless steel
	● ●	FINITURE IN ALLUMINIO finishes in aluminium
	5	NUMERO DI VIE number of beer lines
	1/2" 1/2"	FILETTO thread size
	7,5 8	TUBO ALIMENTAZIONE / Ø mm product line / Ø mm

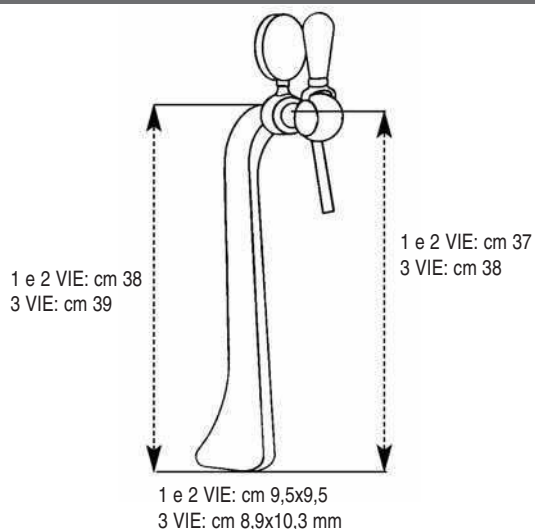




Twice



	OTTONE CROMATO LUCIDO polished chrome plated brass	OTTONE DORATO gold plated brass	NUMERO DI VIE number of beer lines	FILETTO thread size	TUBO ALIMENTAZIONE / Ø mm product line / Ø mm
TW1CR1275	●		1	1/2"	7,5
TW1CR128	●		1	1/2"	8
TW1CR588	●		1	5/8"	8
TW1OT1275		●	1	1/2"	7,5
TW1OT128		●	1	1/2"	8
TW1OT588		●	1	5/8"	8
TW2CR1275	●		2	1/2"	7,5
TW2CR128	●		2	1/2"	8
TW2CR588	●		2	5/8"	8
TW2OT1275		●	2	1/2"	7,5
TW2OT128		●	2	1/2"	8
TW2OT588		●	2	5/8"	8
TW3CR1275	●		3	1/2"	7,5
TW3CR128	●		3	1/2"	8
TW3CR588	●		3	5/8"	8



Larghezza superiore 1 via: cm 4
Upper width 1 out: cm 4

Larghezza superiore 2 vie: cm 8
Upper width 2 outs: cm 8

Larghezza superiore 3 vie: cm 14,5
Upper width 3 outs: cm 14,5

Accessori per Twice
Pag. 46 / 50

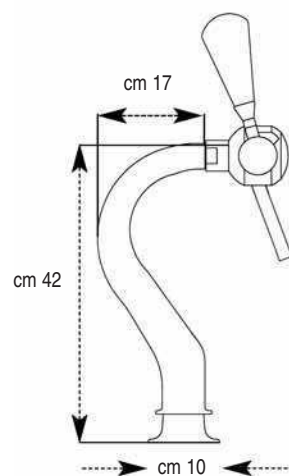
MDCR5880 / MDCR5890
MDG5880 / MDG5890
MDACR5890 / MDADR5890





Zen

	OTTONE CROMATO LUCIDO polished chrome plated brass	OTTONE CROMATO SABBBIATO satiny chrome plated brass	OTTONE DORATO gold plated brass		NUMERO DI VIE number of beer lines	FILETTO thread size	TUBO ALIMENTAZIONE / Ø mm product line / Ø mm
ZN1CR1275	●				1	1/2"	7,5
ZN1CR128	●				1	1/2"	8
ZN1OT1275					1	1/2"	7,5
ZN1OT128					1	1/2"	8
ZN1ST1275		●	●		1	1/2"	7,5
ZN1ST128		●			1	1/2"	8



Accessori per Zen
Pag. 46 / 50

MDCR5880 / MDCR5890
MDG5880 / MDG5890
MDACR5880 / MDADR5890

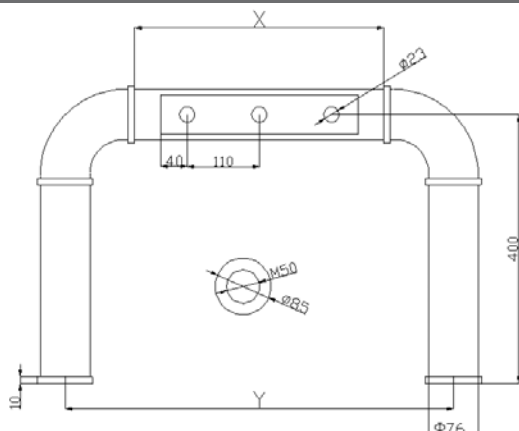




W & R Gate



	ACCIAIO INOX SPAZZOLATO brushed stainless steel	ACCIAIO INOX RAMATO copper plated stainless steel	NUMERO DI VIE number of beer lines	FILETTO thread size	TUBO ALIMENTAZIONE / Ø mm product line / Ø mm
WGT41275	●		4	1/2"	8
WGT4128	●		4	1/2"	7,5
WGT4588	●		4	5/8"	8
RGT41275		●	4	1/2"	8
RGT4128		●	4	1/2"	7,5
RGT4588		●	4	5/8"	8
WGT51275	●		5	1/2"	8
WGT5128	●		5	1/2"	7,5
WGT5588	●		5	5/8"	8
RGT51275		●	5	1/2"	8
RGT5128		●	5	1/2"	7,5
RGT5588		●	5	5/8"	8
WGT61275	●		6	1/2"	8
WGT6128	●		6	1/2"	7,5
WGT6588	●		6	5/8"	8
RGT61275		●	6	1/2"	8
RGT6128		●	6	1/2"	8
RGT6588		●	6	5/8"	8



Accessori per W & R Gate
Pag. 46 / 51

MECR80D / MECR90D
MEG80D / MEG90D

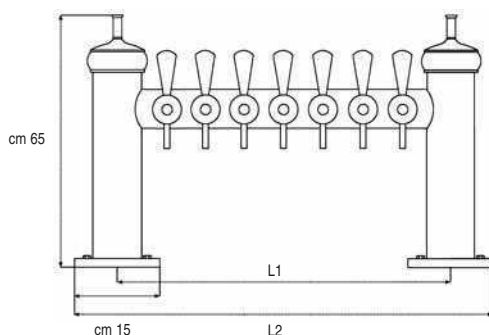


N° VIE / OUTS	X [mm]	Y [mm]
4	490	690
5	600	800
6	710	910



Dresda

	ACCIAIO INOX SATINATO brushed stainless steel	ACCIAIO INOX RAMATO copper plated stainless steel	NUMERO DI VIE number of beer lines	FILETTO thread size	TUBO ALIMENTAZIONE / Ø mm product line / Ø mm
DR4INST1275	●		4	1/2"	7,5
DR4INST128	●		4	1/2"	8
DR4INST588	●		4	5/8"	8
DR4NRM1275		●	4	1/2"	7,5
DR4NRM128		●	4	1/2"	8
DR4NRM588		●	4	5/8"	8
DR5INST1275	●		5	1/2"	7,5
DR5INST128	●		5	1/2"	8
DR5INST588	●		5	5/8"	8
DR5NRM1275		●	5	1/2"	7,5
DR5NRM128		●	5	1/2"	8
DR5NRM588		●	5	5/8"	8
DR6INST1275	●		6	1/2"	7,5
DR6INST128	●		6	1/2"	8
DR6INST588	●		6	5/8"	8
DR6NRM1275		●	6	1/2"	7,5
DR6NRM128		●	6	1/2"	8
DR6NRM588		●	6	5/8"	8
DR7INST1275	●		7	1/2"	7,5
DR7INST128	●		7	1/2"	8
DR7INST588	●		7	5/8"	8
DR7NRM1275		●	7	1/2"	7,5
DR7NRM128		●	7	1/2"	8
DR7NRM588		●	7	5/8"	8



L1:
4, 5, 6 e 7 vie: cm 80
4, 5, 6 and 7 outs: cm 80

L2:
4, 5, 6 e 7 vie: cm 95
4, 5, 6 and 7 outs: cm 95

Accessori per Dresda
Pag. 46 / 51

MECR80D / MECR90D
MEG80D / MEG90D





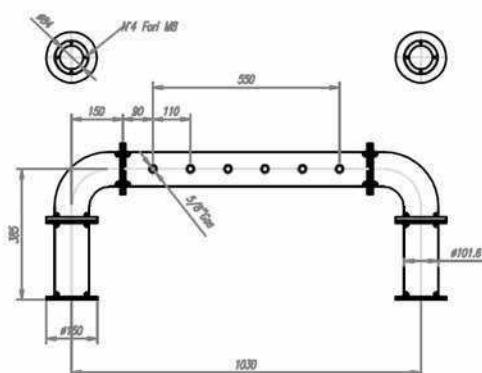
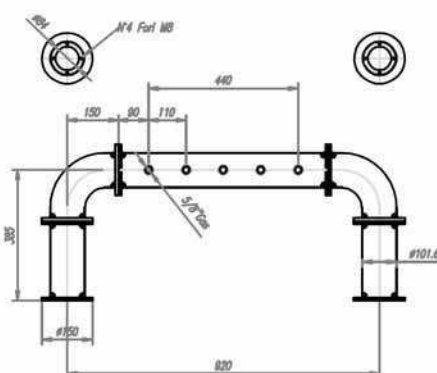
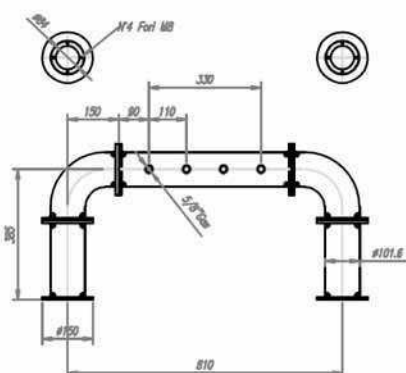
Bond



Accessori per Bond
Pag. 46 / 51

MECR80D / MECR90D
MEG80D / MEG90D

	ACCIAIO INOX SPAZZOLATO brushed stainless steel	ACCIAIO INOX RAMATO copper plated stainless steel	NUMERO DI VIE number of beer lines	FILETTO thread size	TUBO ALIMENTAZIONE / Ø mm product line / Ø mm
BND41275	●		4	1/2"	7,5
BND4128	●		4	1/2"	8
BND4588	●		4	5/8"	8
BND51275	●		5	1/2"	7,5
BND5128	●		5	1/2"	8
BND5588	●		5	5/8"	8
BND61275	●		6	1/2"	7,5
BND6128	●		6	1/2"	8
BND6588	●		6	5/8"	8
BND4RM1275		●	4	1/2"	7,5
BND4RM128		●	4	1/2"	8
BND4RM588		●	4	5/8"	8
BND5RM1275		●	5	1/2"	7,5
BND5RM128		●	5	1/2"	8
BND5RM588		●	5	5/8"	8
BND6RM1275		●	6	1/2"	7,5
BND6RM128		●	6	1/2"	8
BND6RM588		●	6	5/8"	8





Flag

Disponibile con piede a destra
o a sinistra
Available with foot on right or on left

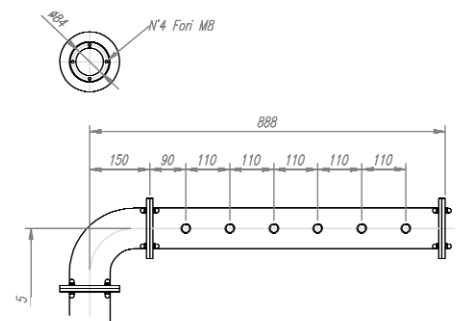
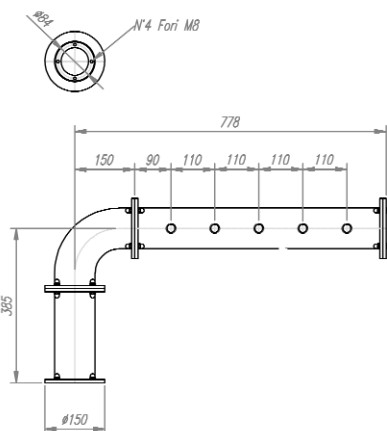
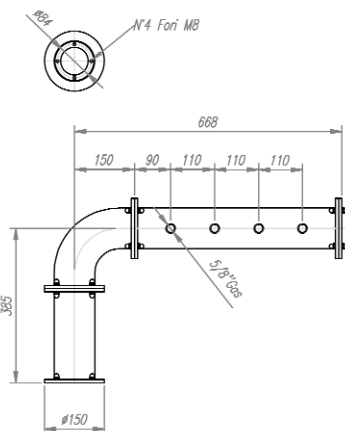


Accessori per Flag
Pag. 46 / 51

MECR80D / MECR90D
MEG80D / MEG90D



	ACCIAIO INOX SPAZZOLATO brushed stainless steel	ACCIAIO INOX RAMATO copper plated stainless steel	NUMERO DI VIE number of beer lines	FILETTO thread size	TUBO ALIMENTAZIONE / Ø mm product line / Ø mm
FLG41275	●		4	1/2"	7,5
FLG4128	●●		4	1/2"	8
FLG4588	●●●		4	5/8"	8
FLG51275	●●●		5	1/2"	7,5
FLG5128	●●●		5	1/2"	8
FLG5588	●●●		5	5/8"	8
FLG61275	●●●●		6	1/2"	7,5
FLG6128	●●●●		6	1/2"	8
FLG6588	●●●●		6	5/8"	8
FLG4RM1275		●	4	1/2"	7,5
FLG4RM128		●●	4	1/2"	8
FLG4RM588		●●●	4	5/8"	8
FLG5RM1275		●●●	5	1/2"	7,5
FLG5RM128		●●●	5	1/2"	8
FLG5RM588		●●●	5	5/8"	8
FLG6RM1275		●●●●	6	1/2"	7,5
FLG6RM128		●●●●	6	1/2"	8
FLG6RM588		●●●●	6	5/8"	8

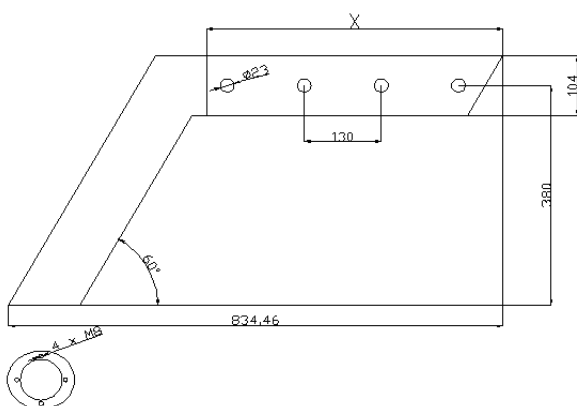




Horizon



	ACCIAIO INOX LUCIDO polished stainless steel	NUMERO DI VIE number of beer lines	FILETTO thread size	TUBO ALIMENTAZIONE / Ø mm product line / Ø mm
HZN31275	●	3	1/2"	7,5
HZN3128	●	3	1/2"	8
HZN3588	●	3	5/8"	8
HZN41275	●	4	1/2"	7,5
HZN4128	●	4	1/2"	8
HZN4588	●	4	5/8"	8
HZN51275	●	5	1/2"	7,5
HZN5128	●	5	1/2"	8
HZN5588	●	5	5/8"	8



Accessori per Horizon
Pag. 46 / 51

MECR80D / MECR90D

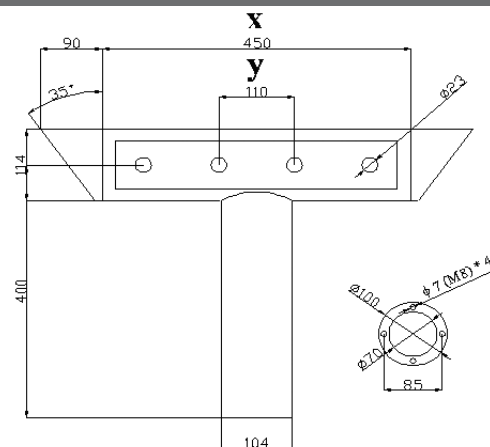


N° VIE / OUTS	X [mm]
3	370
4	500
5	630



Taurus

	ACCIAIO INOX SPAZZOLATO brushed stainless steel	NUMERO DI VIE number of beer lines	FILETTO thread size	TUBO ALIMENTAZIONE / Ø mm product line / Ø mm
TAU41275	●	4	1/2"	7,5
TAU4128	●	4	1/2"	8
TAU4588	●	4	5/8"	8
TAU51275	●	5	1/2"	7,5
TAU5128	●	5	1/2"	8
TAU5588	●	5	5/8"	8
TAU61275	●	6	1/2"	7,5
TAU6128	●	6	1/2"	8
TAU6588	●	6	5/8"	8



Accessori per Taurus
Pag. 46 / 50

MDCR5880 / MDCR5890
MDACR5890



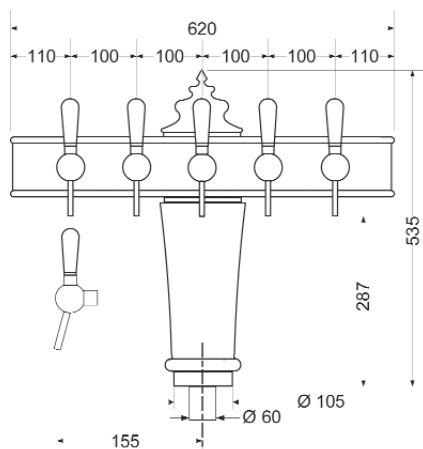
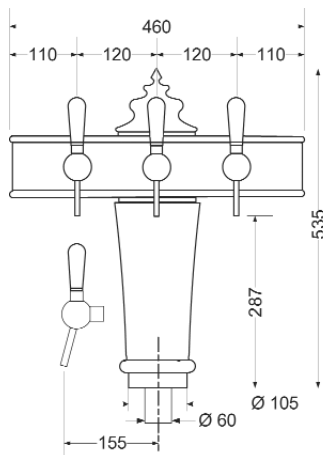
N° VIE / OUTS	X [mm]	Y [mm]
4	490	110
5	600	110
6	710	110



Wood



	LEGGNO wood	INSERTI OTTONE CROMATO chrome plated brass inserts	NUMERO DI VIE number of beer lines	FILETTO thread size	TUBO ALIMENTAZIONE / Ø mm product line / Ø mm
WD31275	●	●	3	1/2"	7,5
WD3128	●	●	3	1/2"	8
WD3588	●	●	3	5/8"	8
WD51275	●	●	5	1/2"	7,5
WD5128	●	●	5	1/2"	8
WD5588	●	●	5	5/8"	8



Accessori per Wood
Pag. 46 / 51

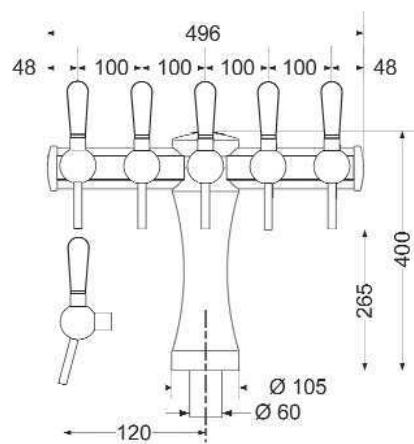
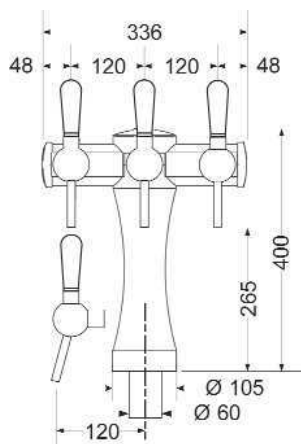
MECR80D / MECR90D





Luis

	OTTONE CROMATO LUCIDO polished chrome plated brass	NUMERO DI VIE number of beer lines	FILETTO thread size	TUBO ALIMENTAZIONE / Ø mm product line / Ø mm
LU31275	●	3	1/2"	7,5
LU3128	●●	3	1/2"	8
LU3588	●●●	3	5/8"	8
LU51275	●●●●	5	1/2"	7,5
LU5128	●●●●●	5	1/2"	8
LU5588	●●●●●	5	5/8"	8



Accessori per Luis
Pag. 46 / 51

MECR80D / MECR90D

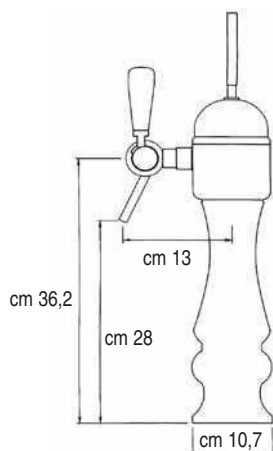
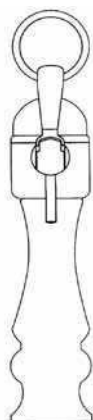




Millennium



	OTTONE CROMATO LUCIDO polished chrome plated brass	OTTONE DORATO gold plated brass		NUMERO DI VIE number of beer lines	FILETTO thread size	TUBO ALIMENTAZIONE / Ø mm product line / Ø mm
MLN1CR1275	●			1	1/2"	7,5
MLN1CR128	●			1	1/2"	8
MLN1CR588	●			1	5/8"	8
MLN1OT1275		●		1	1/2"	7,5
MLN1OT128		●		1	1/2"	8
MLN1OT588		●		1	5/8"	8
MLN2CR1275	●			2	1/2"	7,5
MLN2CR128	●			2	1/2"	8
MLN2CR588	●			2	5/8"	8
MLN2OT1275		●		2	1/2"	7,5
MLN2OT128		●		2	1/2"	8
MLN2OT588		●		2	5/8"	8



Accessori per Millennium
Pag. 46 / 51

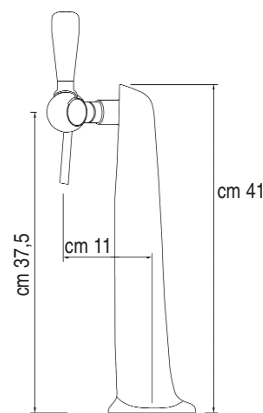
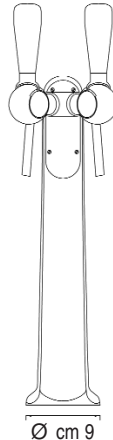
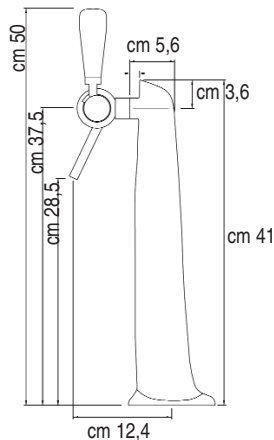
MECR80D / MECR90D
MEG80D / MEG90D





New Anfo

	OTTONE CROMATO LUCIDO polished chrome plated brass		NUMERO DI VIE number of beer lines	FILETTO thread size	TUBO ALIMENTAZIONE / Ø mm product line / Ø mm
NAF1CR1275	●		1	1/2"	7,5
NAF1CR128	●		1	1/2"	8
NAF1CR588	●		1	5/8"	8
NAF2CR1275	●		2	1/2"	7,5
NAF2CR128	●		2	1/2"	8
NAF2CR588	●		2	5/8"	8



Accessori per New Anfo
Pag. 46 / 50

MDCR5880 / MDCR5890
MDACR5890

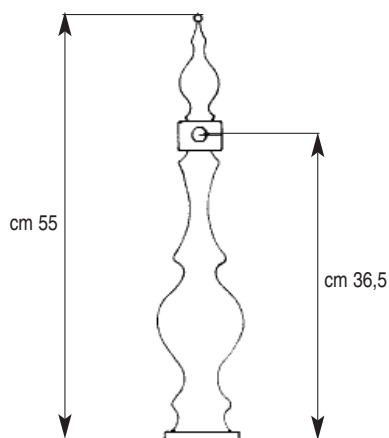




Zar



	OTTONE CROMATO LUCIDO polished chrome plated brass	OTTONE DORATO gold plated brass		NUMERO DI VIE number of beer lines	FILETTO thread size	TUBO ALIMENTAZIONE / Ø mm product line / Ø mm
ZR1CR1275	●			1	1/2"	7,5
ZR1CR128	●			1	1/2"	8
ZR1CR588	●			1	5/8"	8
ZR1OT1275		●		1	1/2"	7,5
ZR1OT128		●		1	1/2"	8
ZR1OT588		●		1	5/8"	8
ZR2CR1275	●			2	1/2"	7,5
ZR2CR128	●			2	1/2"	8
ZR2CR588	●			2	5/8"	8
ZR2OT1275		●		2	1/2"	7,5
ZR2OT128		●		2	1/2"	8
ZR2OT588		●		2	5/8"	8



Accessori per Zar
Pag. 46 / 51

MCCR180 / MCCR190
MCG180 / MCG190

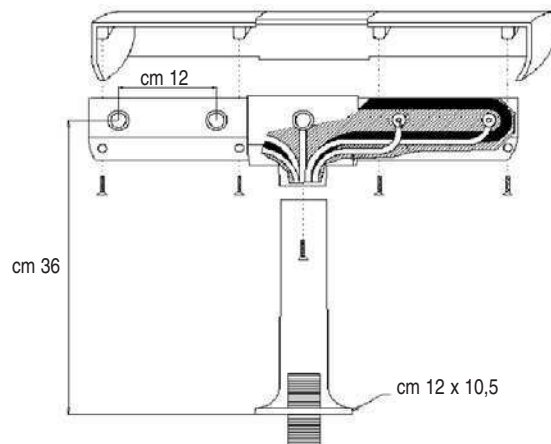




Condor

	OTTONE CROMATO LUCIDO polished chrome plated brass	NUMERO DI VIE number of beer lines	FILETTO thread size	TUBO ALIMENTAZIONE / Ø mm product line / Ø mm
CND3CR1275	●	3	1/2"	7,5
CND3CR128	●	3	1/2"	8
CND3CR588	●	3	5/8"	8
CND5CR1275	●	5	1/2"	7,5
CND5CR128	●	5	1/2"	8
CND5CR588	●	5	5/8"	8

Disponibile anche nella versione luminosa
Available also in the illuminated version



Accessori per Condor
Pag. 46 / 50

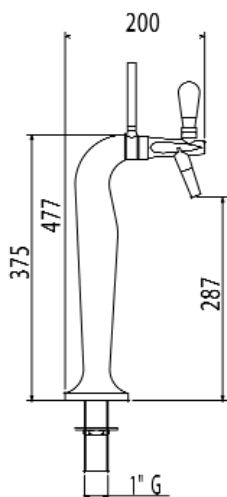
MDCR5880 / MDCR5890
MDACR5890



Pinguino



	CROMATO chrome	DORATO gold	NUMERO DI VIE number of beer lines	FILETTO thread size	TUBO ALIMENTAZIONE / Ø mm product line / Ø mm
N28000	●		1	5/8"	8
N28001	●●		2	5/8"	8
N28002	●●●		3	5/8"	8
N28003		●	1	5/8"	8
N28004		●●	2	5/8"	8
N28005		●●●	3	5/8"	8



Larghezza superiore
Upper width

- 1 VIA / 1 out : cm 9
- 2 VIE / 2 outs : cm 20,5
- 3 VIE / 3 outs : cm 20,5

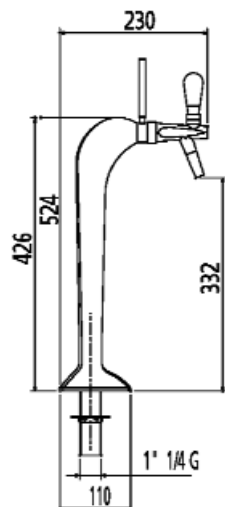
Accessori per Pinguino
Pag. 46 / 50

- MDCR5880 / MDCR5890
- MDG5880 / MDG5890
- MDACR5890 / MDADR5890



Princess

	CROMATO chrome	DORATO gold	NUMERO DI VIE number of beer lines	FILETTO thread size	TUBO ALIMENTAZIONE / Ø mm product line / Ø mm
PRS1CR588	●		1	5/8"	8
PRS2CR588	●●		2	5/8"	8
PRS3CR588	●●●		3	5/8"	8
PRS1G588		●	1	5/8"	8
PRS2G588		●●	2	5/8"	8
PRS3G588		●●●	3	5/8"	8



Larghezza superiore
Upper width

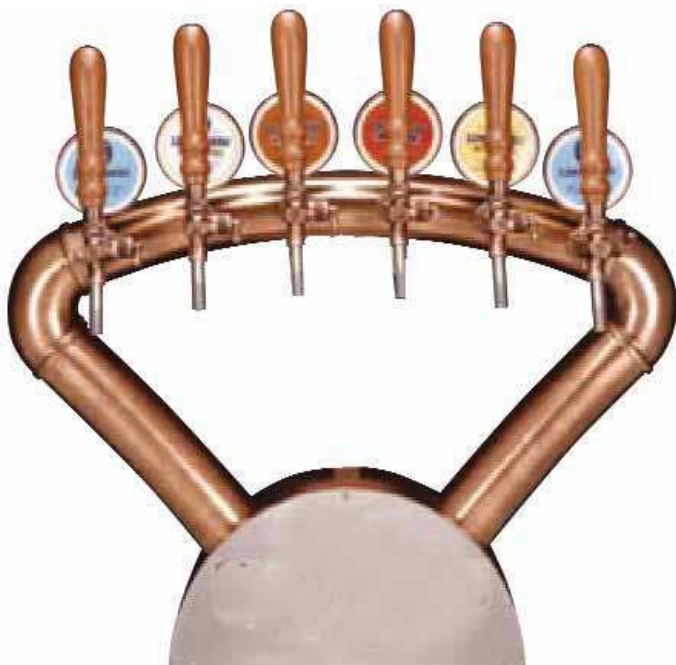
- 1 VIA / 1 out : cm 11
- 2 VIE / 2 outs : cm 21
- 3 VIE / 3 outs : cm 21



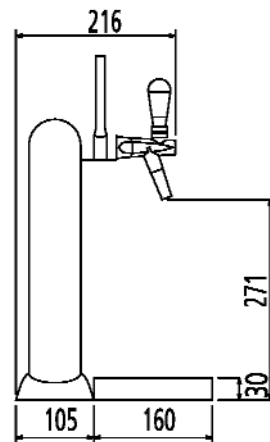
Accessori per Princess
Pag. 46 / 50

- MDCR5880 / MDCR5890
- MDG5880 / MDG5890
- MDACR5890 / MDADR5890

Seven & Trigonos



	CROMATO chrome	DORATO gold	RAMATO copper	NUMERO DI VIE number of beer lines	FILETTO thread size	TUBO ALIMENTAZIONE / Ø mm product line / Ø mm
SEVEN						
N28006	●			3	5/8"	8
N28007		●		3	5/8"	8
TRIGONOS						
N28008	●			3	5/8"	8
N28009	●●			5	5/8"	8
N28010	●			6	5/8"	8
N28011			●	3	5/8"	8
N28012			●●	5	5/8"	8
N28013			●●	6	5/8"	8



Larghezza
Width

SEVEN
3 VIE/ 3 outs : cm 40

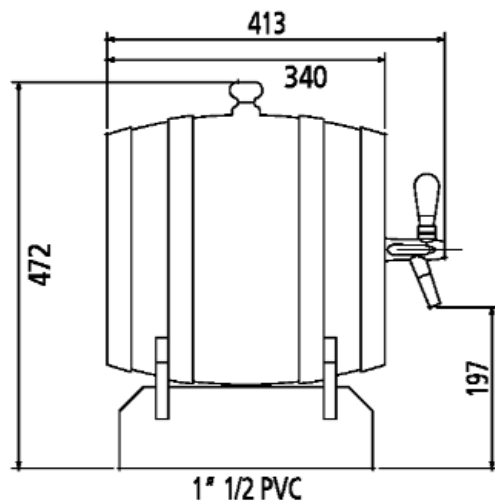
TRIGONOS
3 VIE/ 3 outs : cm 46
5 VIE/ 5 outs : cm 68
6 VIE/ 6 outs : cm 68

Botticella

Raccogliocce compreso
Included drip tray



	LEGNO CHIARO chrome	NUMERO DI VIE number of beer lines	FILETTO thread size	TUBO ALIMENTAZIONE / Ø mm product line / Ø mm
N28014	●	2	5/8"	8
N28015	●	3	5/8"	8



Larghezza
Width

2 VIE/ 2 outs : cm 33
3 VIE/ 3 outs : cm 33



TWICE ICE



PRINCESS ICE



PINGUINO ICE



	OTTONE CROMATO LUCIDO polished chrome plated brass		NUMERO DI VIE number of beer lines	FILETTO thread size	TUBO ALIMENTAZIONE / Ø mm product line / Ø mm
TWICE ICE					
TW1CR1275ICE	●		1	1/2"	7,5
TW1CR128ICE	●		1	1/2"	8
TW1CR588ICE	●		1	5/8"	8
PRINCESS ICE					
PRS1CR1275ICE	●		1	1/2"	7,5
PRS1CR128ICE	●		1	1/2"	8
PRS1CR588ICE	●		1	5/8"	8
PINGUINO ICE					
N280001275ICE	●		1	1/2"	7,5
N28000128ICE	●		1	1/2"	8
N28000588ICE	●		1	5/8"	8

OPTIONAL



ICE1523L
Refrigeratore a glicole per ghiacciare colonne
Glycole cooler for ice towers



	OTTONE CROMATO LUCIDO polished chrome plated brass	ACCIAIO INOX LUCIDO polished stainless steel		NUMERO DI VIE number of beer lines	FILETTO thread size	TUBO ALIMENTAZIONE / Ø mm product line / Ø mm
EVOLUTION ICE						
EV1CR1275ICE	●			1	1/2"	7,5
EV1CR128ICE	●			1	1/2"	8
EV1CR588ICE	●			1	5/8"	8
POINT ICE						
PN1CR1275ICE		●		1	1/2"	7,5
PN1CR128ICE		●		1	1/2"	8
ZEN ICE						
ZN1CR1275ICE	●			1	1/2"	7,5
ZN1CR128ICE	●			1	1/2"	8

EVOLUTION ICE



POINT ICE



ZEN ICE



OPTIONAL



ICE1523L
Refrigeratore a glicole per ghiacciare colonne
Glycole cooler for ice towers

Unicorn

post-mix



COLONNA POST-MIX 4 SCIROPPI + 1 SODA
Post-Mix tower 4 syrups + 1 soda

VALVOLE POST-MIX ELETTRICHE BY LANCER
Post-Mix electric valves by Lancer

2 opzioni di erogazione prodotto 2 options:

- **EROGAZIONE PRE-DOSATA CON 4 PULSANTI**
- Pre-dosed dispensing with 4 buttons
- **EROGAZIONE MANUALE CON POMELLO COLONNA (SISTEMA START/ STOP)**
- Manual dispensing with tower handle (START/STOP system)

UNCRM4PM1S

Colonna Unicorn cromata a morsetto 4PM+1SODA
Chrome clamp tower model Unicorn 4 post-mix + 1 soda

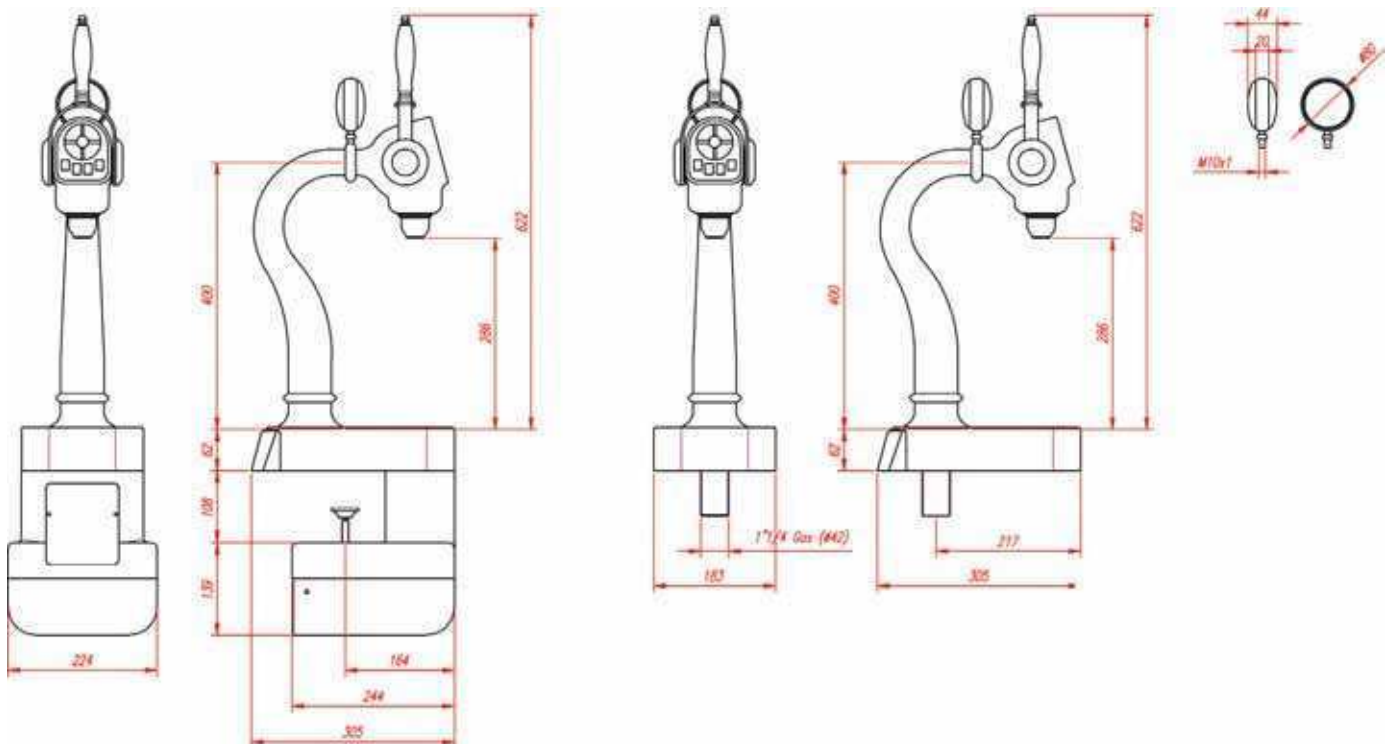


Unicorn

post-mix



MEDAGLI ONE LUMINOSO LED BI FACCI ALE
Illuminated LED bifacial badge holder



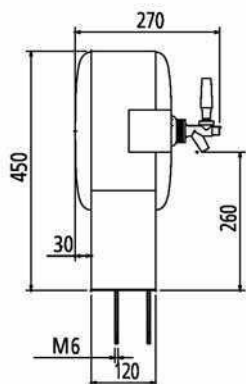
Disco

premix



Versione standard con filetto 5/8"
Standard version with thread size 5/8"

OPTIONAL
Illuminazione con alimentazione 24 V
Illumination - power supply 24 V



Larghezza DISCO Premix
Width / DISCO Premix

- 3 VIE/ 3 outs : cm 34
- 4 VIE/ 4 outs : cm 34
- 5 VIE/ 5 outs : cm 34
- 6 VIE/ 6 outs : cm 44
- 8 VIE/ 8 outs : cm 54

ACCIAIO INOX
stainless steel

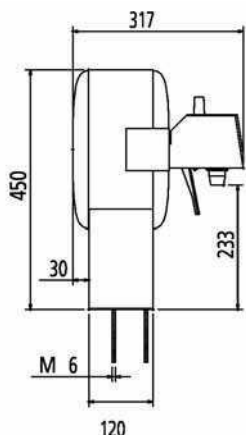
NUMERO DI VIE
number of beer lines

N28016	●	3
N28017	●	4
N28018	●	5
N28019	●	6
N28020	●	7
N28021	●	8

post-mix

Versione standard con valvole Flomatic a leva
Standard version with Flomatic lever valves

OPTIONAL
Illuminazione con alimentazione 24 V
Illumination - power supply 24 V



Larghezza DISCO Post-mix
Width / DISCO Post-mix

- 3 VIE/ 3 outs : cm 34
- 4 VIE/ 4 outs : cm 34
- 5 VIE/ 5 outs : cm 34
- 6 VIE/ 6 outs : cm 44
- 8 VIE/ 8 outs : cm 54

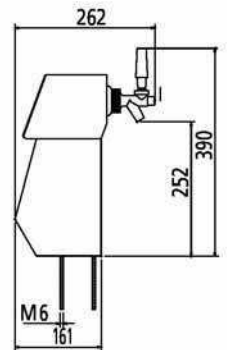
N28044	●	3
N28045	●	4
N28046	●	5
N28047	●	6
N28048	●	7
N28049	●	8

	ACCIAIO INOX stainless steel	NUMERO DI VIE number of beer lines
N28022	●	3
N28023	●●	4
N28024	●●●	5
N28025	●●●●	6



Versione standard con filetto 5/8"
Standard version with thread size 5/8"

OPTIONAL
Illuminazione con alimentazione 24 V
Illumination - power supply 24 V



Larghezza 800 Premix
Width / 800 Premix

- 3 VIE / 3 outs : cm 33
- 4 VIE / 4 outs : cm 33
- 5 VIE / 5 outs : cm 33
- 6 VIE / 6 outs : cm 45

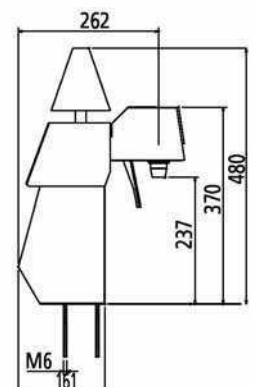
post-mix

N28050	●	3
N28051	●●	4
N28052	●●●	5
N28053	●●●●	6



Versione standard con valvole Flomatic a leva
Standard version with Flomatic lever valves

OPTIONAL
Illuminazione con alimentazione 24 V
Illumination - power supply 24 V



Larghezza 800 Post-mix
Width / 800 Post-mix

- 3 VIE / 3 outs : cm 33
- 4 VIE / 4 outs : cm 33
- 5 VIE / 5 outs : cm 33
- 6 VIE / 6 outs : cm 45

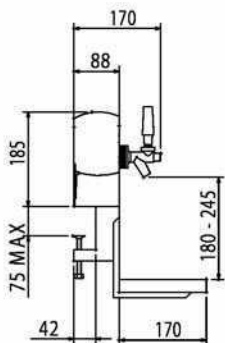
Victor

premix

Versione standard con filetto 5/8"
Standard version with thread size 5/8"

OPTIONAL

Illuminazione con alimentazione 24 V
Illumination - power supply 24 V



Larghezza VICTOR Premix
Width / VICTOR Premix

TUTTE LE VIE / all outs : cm 24,5

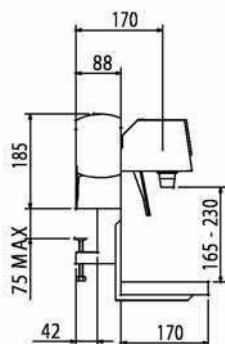
	GRI GIO grey	ROSSO red	BLU blue	NUMERO DI VIE number of beer lines
N28026	●			2
N28027		●		2
N28028			●	2
N28029	●			3
N28030		●		3
N28031			●	3

post-mix

Versione standard con valvole Flomatic a leva
Standard version with Flomatic lever valves

OPTIONAL

Illuminazione con alimentazione 24 V
Illumination - power supply 24 V



Larghezza VICTOR Post-mix
Width / VICTOR Post-mix

TUTTE LE VIE / all outs : cm 24,5

N28054	●			1
N28055		●		1
N28056			●	1
N28057	●			2
N28058		●		2
N28059			●	2

Victoria

premix

	GRIGIO grey	ROSSO red	BLU blue	NUMERO DI VIE number of beer lines
N28032	●			2
N28033		●		2
N28034			●	2
N28035	●			3
N28036		●		3
N28037			●	3

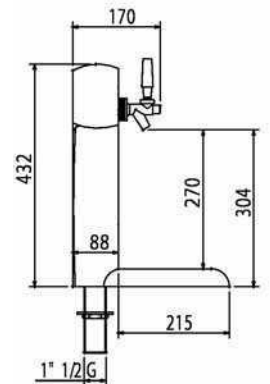


Versione standard con filetto 5/8"
Standard version with thread size 5/8"

OPTIONAL
Illuminazione con alimentazione 24 V
Illumination - power supply 24 V

Larghezza VICTORIA Premix
Width / VICTORIA Premix

TUTTE LE VIE / all outs : cm 24,5



post-mix

	GRIGIO grey	ROSSO red	BLU blue	NUMERO DI VIE number of beer lines
N28060	●			1
N28061		●		1
N28062			●	1
N28063	●			2
N28064		●		2
N28065			●	2

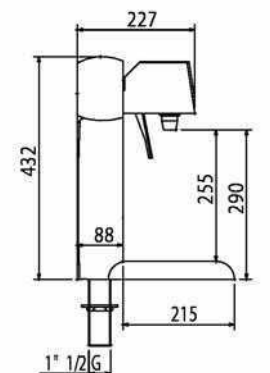


Versione standard con valvole Flomatic a leva
Standard version with Flomatic lever valves

OPTIONAL
Illuminazione con alimentazione 24 V
Illumination - power supply 24 V

Larghezza VICTORIA Post-mix
Width / VICTORIA Post-mix

TUTTE LE VIE / all outs : cm 24,5



Virgo S

premix

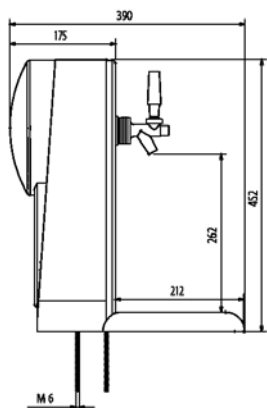
Versione standard con filetto 5/8"
Standard version with thread size 5/8"

OPTIONAL

Illuminazione con alimentazione 24 V
Illumination - power supply 24 V

Larghezza VIRGO S Premix
Width / VIRGO S Premix

TUTTE LE VIE / all outs : cm 28



	ACCIAIO INOX stainless steel	NUMERO DI VIE number of beer lines
N28038	●	2
N28039	●	3
N28040	●	4

post-mix

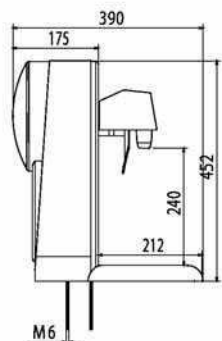
Versione standard con valvole Flomatic a leva
Standard version with Flomatic lever valves

OPTIONAL

Illuminazione con alimentazione 24 V
Illumination - power supply 24 V

Larghezza VIRGO S Post-mix
Width / VIRGO S Post-mix

TUTTE LE VIE / all outs : cm 28



N28066	●	2
N28067	●	3
N28068	●	4

Virgo L

premix

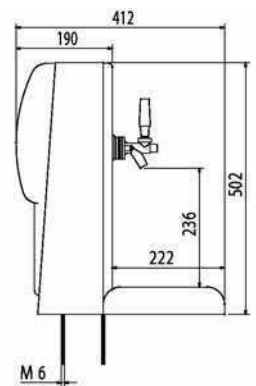
Versione standard con filetto 5/8"
Standard version with thread size 5/8"

OPTIONAL
Illuminazione con alimentazione 24 V
Illumination - power supply 24 V



Larghezza VIRGO L Premix
Width / VIRGO L Premix

TUTTE LE VIE / all outs : cm 46



	ACCIAIO INOX stainless steel	NUMERO DI VIE number of beer lines
N28041	●	4
N28042	●●	5
N28043	●●●	6

post-mix

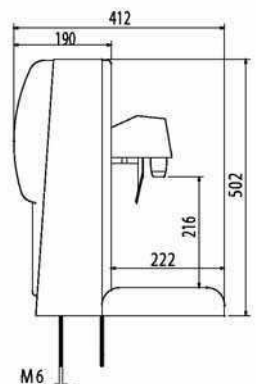
Versione standard con valvole Flomatic a leva
Standard version with Flomatic lever valves

OPTIONAL
Illuminazione con alimentazione 24 V
Illumination - power supply 24 V



Larghezza VIRGO L Post-mix
Width / VIRGO L Post-mix

TUTTE LE VIE / all outs : cm 46



N28069	●	4
N28070	●●	5
N28071	●●●	6



	010436 FIESTA M	010437 FIESTA L	010438 FIESTA XL
CAPACITA' capacity	2 LT.	3 LT.	5 LT.
CAPACITA' CON TUBO GHI ACCIO capacity with ice tube (optional)	-	2 LT.	3 LT.
ALTEZZA height	74 CM	90 CM	125 CM



ACCESSORI PER LA PULIZIA

Accessories for cleaning

- 100032 Spazzola pulizia M *Cleaning brush M*
- 100033 Spazzola pulizia L *Cleaning brush L*
- 100034 Spazzola pulizia XL *Cleaning brush XL*
- 100035 Tubo per la pulizia *Tube for cleaning*



ACCESSORI PER LA REFRI GERAZI ONE

Accessories for cooling

- 27001 Ice tube L *Ice tube L*
- 27002 Ice tube XL *Ice tube XL*
- 27003 Riserva ghiaccio esterna *External ice bank*
- 27004 Cartucce Ice tube L (set 3 pezzi) *Cartridges Ice tube L (3 pieces)*
- 27005 Cartucce Ice tube XL (set 5 pezzi) *Cartridges Ice tube XL (5 pieces)*

